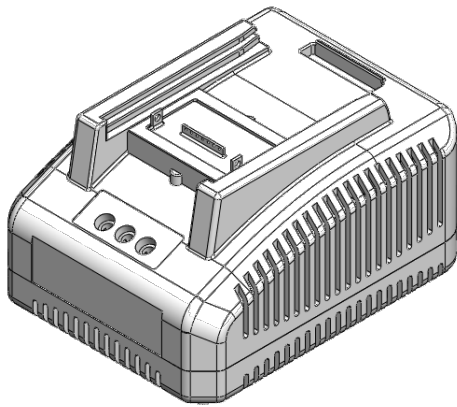
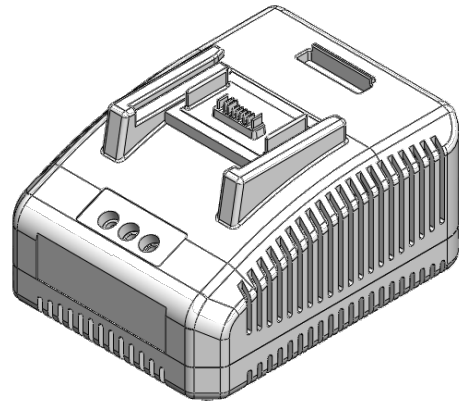


OPERATION MANUAL FOR CHARGE STATION



■ MYCS-ID80

■ MYCS-80



■ MYCS-ID80-D

SAING EI CORP.

<https://www.mytorqtools.com>

CE

Y2F110-2E-007

Icon Explanation



Read manual



Caution



Double insulation



Indoor use only



No humidity



No fire



No disassemble



No disposal




CE Certification





ETL Certification

Caution



Please  read all instructions carefully before operate the rechargeable battery and charger. Also please follow all the instructions and pay attention to all the warning.


Important Notification

1. Please operate under the correct voltage to the charger in according with the operation manual.
2. When charging the battery, please make sure the grounding and safety components are properly attached before operating.
3. The charger should store in clean and dry area. Do not place heavy stuff on the charger. Please do not charge the battery when the temperature is above 33°C.
4. Please do not place the charger in the poorly ventilated place, nor expose the charger in the dust or metal crumb.
5. Do not expose the charger directly under sun, high temperature, high humidity , and highly explosive  gas.
6. Do not place charger on high shelf. The charger should be placed on the leveled, firm spot that prevent children from reaching.
7. Do not abuse the cord. Never use the cord to carry, pull or unplug the charger. Keep cord away from heat, oil, sharp edges or moving parts. Damaged or entangled cords increase the risk of electric shock.
8. Please read all instructions carefully before operate the charger. Failure to follow all instructions listed below may result in electric shock fire and/or serious injury.
9. It is forbidden to use different brand of battery other than KILEWS' on the charger. To disassemble and modify the charge are also not allowed.

Grounding Instruction

The charger needs to be grounded all the time in case of electrical shock. The grounding wire must be connected firmly with power supply equipment for effective grounding result. The leading wire with yellow-green color is a grounding wire. Never attempt to connect this yellow-green color wire on electrified connector.

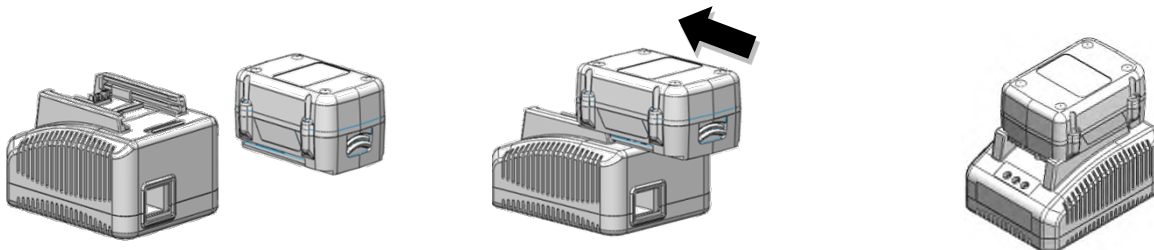
Caution

1. Please match the correct Lithium-ion rechargeable battery for this charger, do not apply different type or brand of battery on this charger, otherwise may cause error or danger.
2. Please match the charger with the battery models the use of other than genuine SAING EI replacement parts or battery may result in decreased tool performance and increased maintenance and may invalidate all warranties.
3. Keep children, and bystanders away while charging the battery, in case of danger.
4. Please do not plug in the charger when the plug or users' hand is wet.
5. To disassemble or modify the charger's plug may cause danger or malfunction.
6. This charger only applies to the rechargeable battery of KILEWS. Please do not apply the charger to other different brand of battery or for other propose.
7. Please do not attempt to disassemble  or modify the charger and the rechargeable battery.
8. When the battery is fully charged and the charger LED status is displayed fully charged, and if the battery is placed in the charger for two hours more, the charger will continuously short beeps and the red and green lights flash to show that the battery is fully charged. Please remove the battery from the charger.

Operation Instruction

1. Please check the cord to see if there any damage before plug in the charger. Hold the plug of power cord while plugging in or unplugging the charger.
2. Do not place chargers near oil, chemical materials or heated objects, also please be alert not to scratch the power cord by sharp object.
3. When the charger is not in use, please unplug the power and store in dry safe place where it is not reachable by children.
4. Charger and battery assemble

Assemble

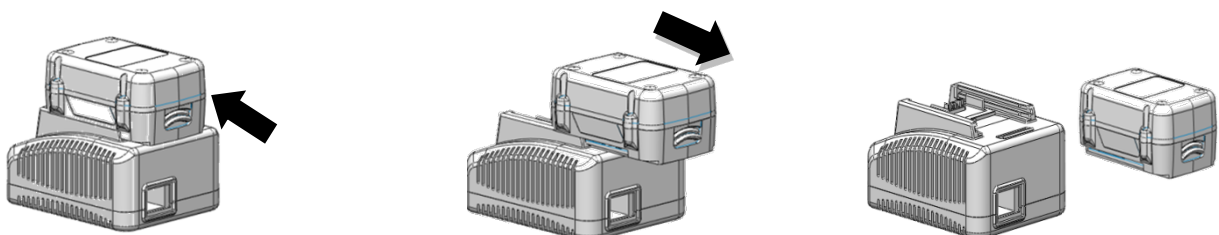


(1) Match the battery to the charger's slide track.

(2) The direction of the battery when insert, push all the way.

(3) inserting steps finished, the charger will identify the battery ID, when ID are matched, there will be a short beep sound.

Decomposition



(1) Push up and hold the latch switch.

(2) The direction of battery when removing.

(3) Removing steps finished.

contents	Charge station	1 pcs
	Power cord	1 pcs
	Operation manual	1 pcs
	Warranty certification	1 pcs

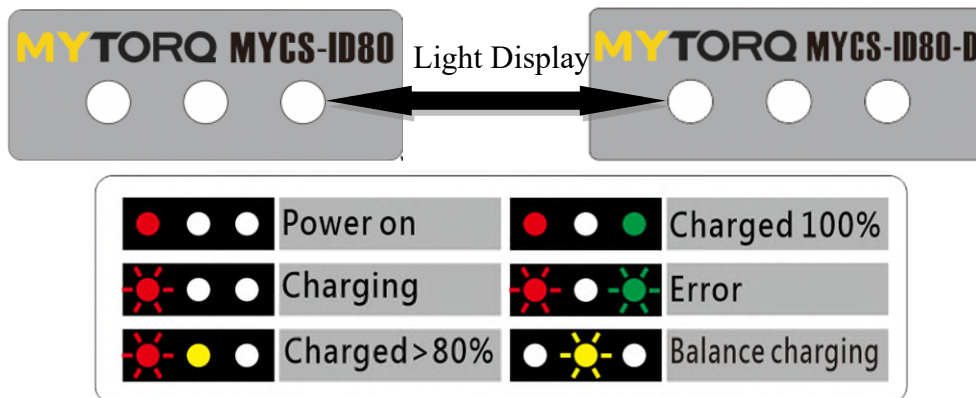
Caution: Protection Functions

1. Over charged protection
2. Current protection
3. Shortage protection (fuse implement)
4. Battery reverse current protection
5. MYCS-ID80/MYCS-ID80-D Built-in ID recognition feature protection
6. Temperature protection

Temperature protection detail explanation

- (1) When the battery temperature is between 0-10°C, the charger will use low current to pre-charge the battery until the battery temperature higher than 10°C, then the charger switch back to normal charging mode. When the battery temperature is below 0°C, the charger will stop charging the battery until the battery temperature is higher than 0°C.
- (2) When the battery temperature is above 45°C, the charger will automatically change to low current to charge the battery. When the battery temperature is exceeded 50°C, the charger will stop charging the battery and make warring beep sound until the battery temperature drop down back to 40°C, then the charger switches back to normal charging mode.
- (3) When the charger temperature rises to 75°C, the charger will trigger protection mechanism to stop charging the battery and until the charger temperature drop down back to 65°C, then the charger switches back to normal charging mode.
- (4) When the charger voltage is lower than 15V, the charger will automatically change to low current to pre-charge the battery and until voltage is reach to 15V, then the charger switches back to fast charging mode.
- (5) When the charger detects the battery temperature is lower 0°C or above 50°C, then the charging process will be stopped.

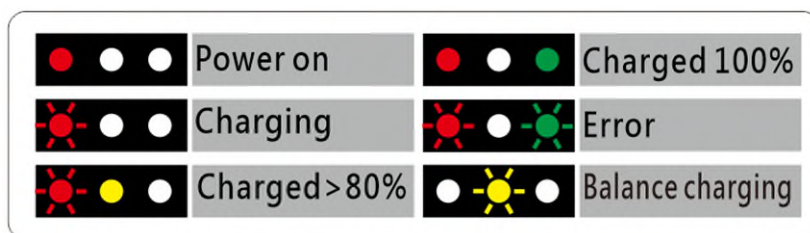
MYCS-ID80/MYCS-ID80-D Display Description



Item	Condition	Warning Sound	Light Display		
			Red	Yellow	Green
1	Normal charging: the battery power is less than 80%	N/A	Flashing	OFF	OFF
2	Normal charging: battery power 80%~99%	N/A	Flashing	ON	OFF
3	Charging complete: 100% battery power	Three seconds long sound	ON	OFF	ON
4	ID identification successful	One second short sound	---	---	---
5	Abnormal ID identification	N/A	---	---	---
6	Standby mode	N/A	ON	OFF	OFF
7	Abnormal temperature of charging stand or battery	1 time in 3 seconds 1 sound each time Continuous cycle	Flashing	OFF	Flashing
8	Abnormal battery (1) The voltage of a single cell is too low (2) Fuse NG	N/A	Flashing	OFF	Flashing
9	Abnormal charging time (1) The total charging process > 2 hours Note: It will not have any effect on the battery	1 time in 3 seconds 3 sound each time Continuous cycle	Flashing	OFF	Flashing
10	Abnormal communication (1) Battery pin damage	1 time in 3 seconds 4 sound each time Continuous cycle	Flashing	OFF	Flashing
11	Abnormal charging stand	1 time in 3 seconds 5 sound each time Continuous cycle	Flashing	OFF	Flashing
12	Battery activation When voltage of battery is below 15V, charger will try to activate the battery: (1) If it's went successfully, it will process to "Normal charging". (2) If it's went fail, it will process to "Abnormal battery".	N/A	ON	OFF	OFF

Please note: if charger appear Abnormal status, please contact SAING EI or SAING EI's agent.

MYCS-80-D Display Description



Item	Condition	Warning Sound	Light Display		
			Red	Yellow	Green
1	Normal charging: the battery power is less than 80%	N/A	Flashing	OFF	OFF
2	Normal charging: battery power 80%~99%	N/A	Flashing	ON	OFF
3	Charging complete: 100% battery power	Three seconds long sound	ON	OFF	ON
4	Standby mode	N/A	ON	OFF	OFF
5	Abnormal temperature of charging stand or battery	1 time in 3 seconds 1 sound each time Continuous cycle	Flashing	OFF	Flashing
6	Abnormal battery (1) The voltage of a single cell is too low (2) Fuse NG	1 time in 3 seconds 2 sound each time Continuous cycle	Flashing	OFF	Flashing
7	Abnormal charging time (1) The total charging process > 2 hours Note: It will not have any effect on the battery	1 time in 3 seconds 3 sound each time Continuous cycle	Flashing	OFF	Flashing
8	Abnormal communication (1) Battery pin damage	1 time in 3 seconds 4 sound each time Continuous cycle	Flashing	OFF	Flashing
9	Abnormal charging stand	1 time in 3 seconds 5 sound each time Continuous cycle	Flashing	OFF	Flashing
10	Battery activation When voltage of battery is below 15V, charger will try to activate the battery: (1) If it's went successfully, it will process to "Normal charging". (2) If it's went fail, it will process to "Abnormal battery".	N/A	ON	OFF	OFF

Please note: if charger appear Abnormal status, please contact SAING EI or SAING EI's agent.

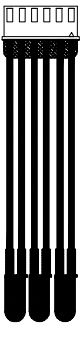
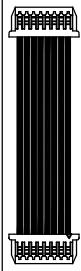
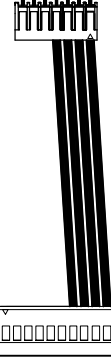

Specification

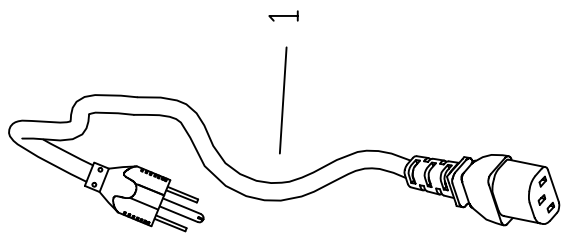
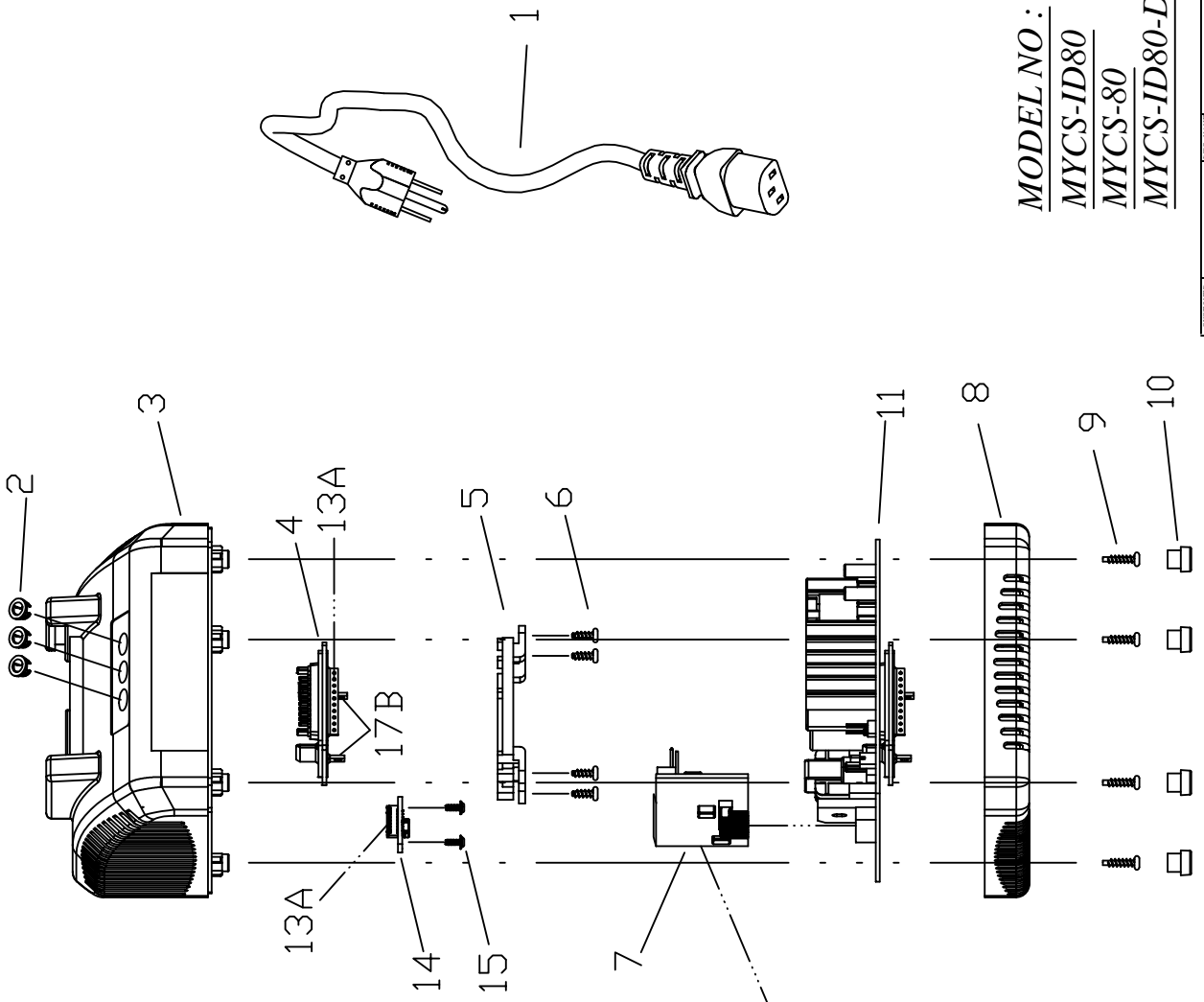
Model	Charger Station		
	MYCS-ID80	MYCS-80	MYCS-ID80-D
Battery Identification	Yes	No	Yes
Input Voltage	100V – 240VAC / 0.5A~1.2A		
Output Voltage	21VDC		
Output Current	3A		
Dimension	W * L * H 145mm * 115mm * 80mm		
Weight	530g		
Battery Type	Li-ion		
Applicable Battery Models	Charging Time	Battery Capacity	Charger Model
SKC-LB1820	Prox. 40min	1950 mAh	MYCS-ID80/MYCS-80
SKC-LB1840	Prox. 80min	3900 mAh	MYCS-ID80/MYCS-80
SKC-LB1830C	Prox. 45min	3000 mAh	MYCS-ID80-D



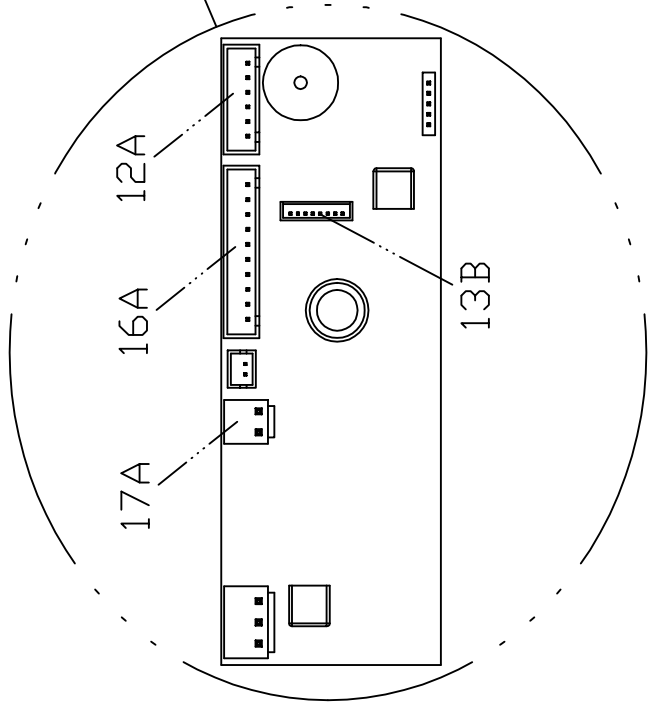
**SAVE THESE INSTRUCTIONS
DO NOT DESTROY**


**Our company reserves the right to modify
the product without prior notice.**

編號	接點位置	排插圖示	接點位置
12	2		12A
13	13A		13B
16	16A		16B
17	17A		17B



MODEL NO.:
MYCS-ID80
MYCS-80
MYCS-ID80-D



CUSTOMER:	DRG. NAME:	PRODUCTION NO.:	
ITEM NO.:	DRG. NO.:	MATERIAL:	THIRD ANGLE PROJECTION.
TITLE:	DATE:	DES. BY:	UNIT:
	DATE:	CHKD. BY:	SCALE:
	DATE:	APPD. BY:	DATE:
			SHT. NO.
			OF SHES.

SAING EI CORP.